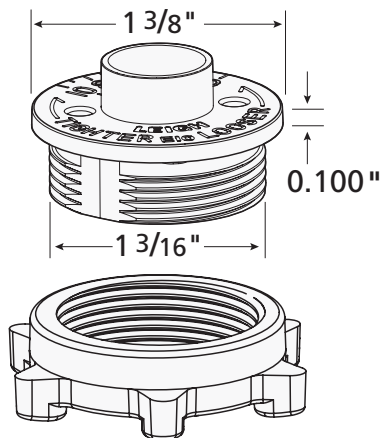


Router Table Requirements

Router tables are typically used with a bearing or fence, however, the Leigh RTJ400 is guided around a guide bushing mounted in the router table. Leigh eBushes (guide bushings) are designed around the decades-old Porter Cable/Black & Decker industry standard. Therefore, you will need an insert ring to fit the eBush to your router table or router plate. See specifications below. ■



Leigh eBush and Nut

To fit the eBush to your router table insert plate, you need a 1-3/8" diameter counter bore insert ring. Check with your router table or insert plate (router lift) manufacturer, as to what adaptation, if any, is required.

