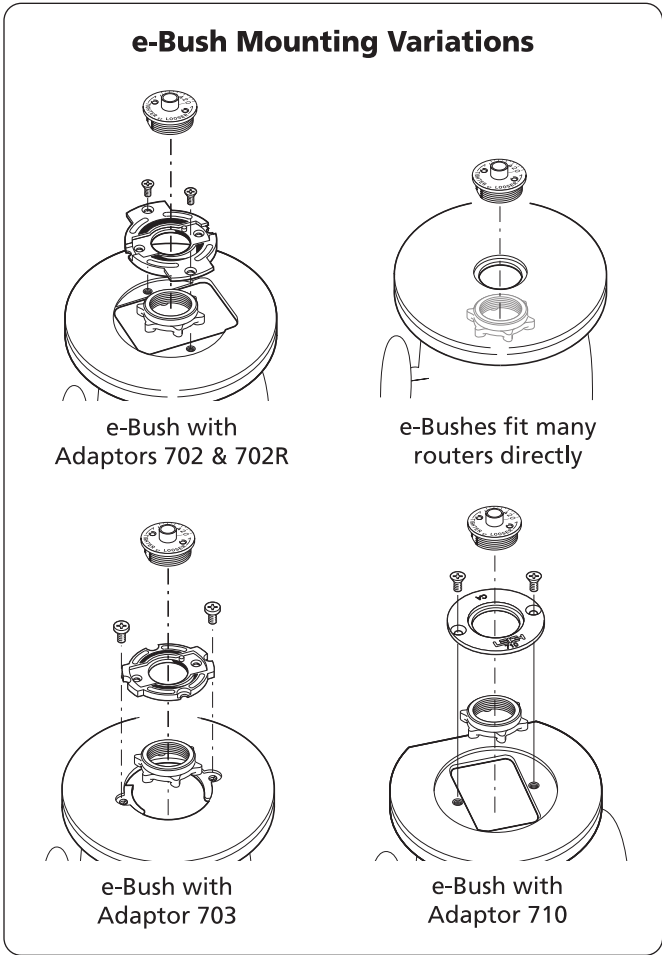
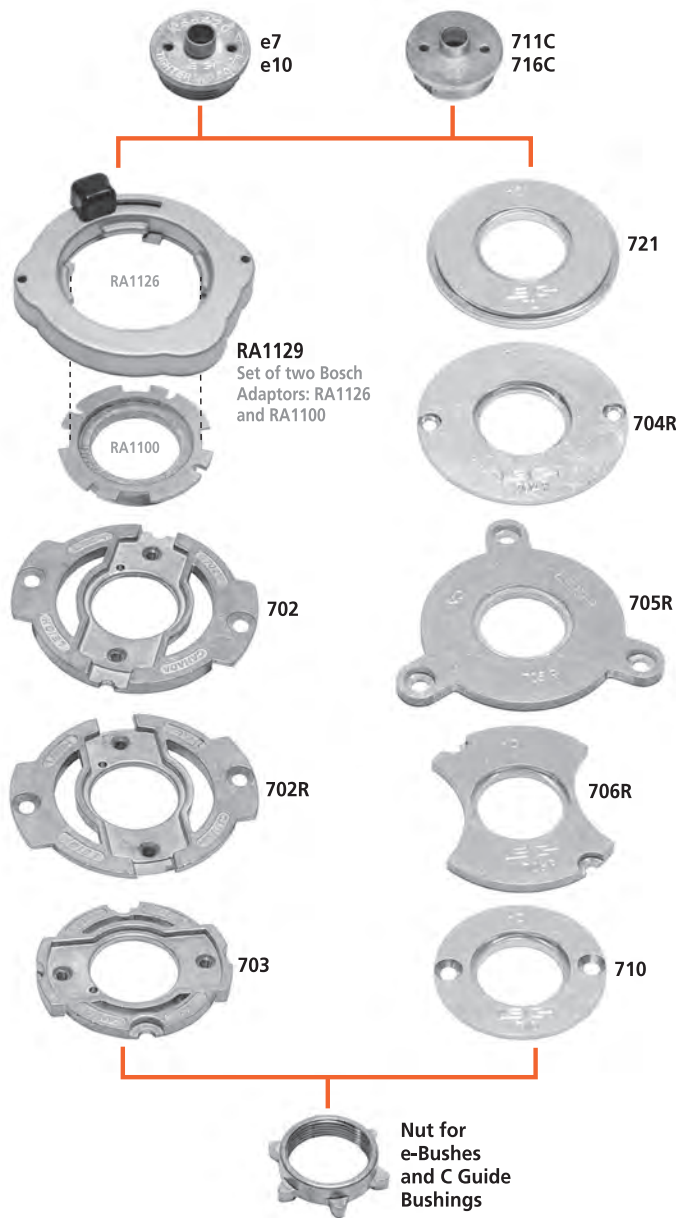


# Attaching the Leigh e-Bush to the Router

The correct guidebush is the vital link between the router and your Leigh Jig. It precisely steers the router. Where possible, always use the Leigh system to **ensure correct bush length and precise diameter for accurate results.** Leigh offers the adaptors below to fit guidebushes to over one hundred router models new and old, including Porter Cable, Black & Decker, and DeWalt. Many other makes e.g. Bosch, Fein, Festool, Milwaukee etc., either offer or include base adaptors. See list of routers in the Template Guide Bushing and Adaptor Selection chart on the next page.

## Leigh Template Guide Bushing and Adaptor System



## Template Guide Bushing and Adaptor Selection

Leigh dovetail jigs require a router fitted with a guide bushing. An adaptor may be required to fit the bushing to the router. *See [www.leighjigs.com](http://www.leighjigs.com) for the complete list of routers.*

### DIRECTIONS

**A.** Locate name of router maker in Column 1.

**B.** Locate router model in Column 2. If your router is not listed visit [leighjigs.com](http://leighjigs.com) for a complete, up-to-date list of routers.

**C.** Locate adaptor required for your router in Column 3.

- Order Leigh adaptors (part no's in red) in Column 3 from Leigh.
- Order Bosch adaptors RA1100 and RA1126 in Column 3 from Leigh or your Bosch dealer.
- Order all other adaptors in Column 3 from the router manufacturer's dealer.

**Note:** Adaptor mounting screws are included with router.

■ MAFELL – Rework adaptor slightly.

**D.** Guide bushings in Columns 4 and 5 fit all adaptors listed and may be ordered if required. Note:

- ◆ The e7 elliptical guide bushing (7/16" [11,1mm]) is supplied with all Leigh D-series dovetail jigs for routing dovetails and box joints. Order only if you require a replacement. The 711C/711TP\* guide bushing (7/16" [11,1mm]) can also be used, but only for routing dovetails.

- ▲ An optional 5/8" [15,9mm] 716C or 716TP\* guide bushing is used with 1/2" [12,7mm] shank router bits on D4R Pro, D4R, D4, D3, D1258R, D1258, jigs. Order only if using 1/2" [12,7mm] shanks.

All 8mm shank bits work with the e7-Bush supplied with your Leigh jig, or with any 7/16" OD [11,1mm] guide bushing that has a min. barrel length of 1/4" [6,35mm]. No other guide bushing sizes can be used.

**Note:**

\*The 711C has replaced the 711TP guide bushing. Both are 7/16" OD [11,1mm].

\*The 716C has replaced the 716TP guide bushing. Both are 5/8" OD [15,9mm].

1 ROUTER MAKER	2 ROUTER MODEL	3 ROUTER ADAPTOR	4 7/16" OD BUSHING ◆	5 5/8" OD BUSHING ▲
AEG	OFE 710 in plunge base	Not Required	e7 or 711C	716C
	OFSE 2000	703	e7 or 711C	716C
	RT1350E	706R	e7 or 711C	716C
BLACK & DECKER	All Professional, HD1250, RP400K, 7614	Not Required	e7 or 711C	716C
	6200	720673-00	e7 or 711C	716C
	SR100, 7AEE, KW780 series, KW800, KW850	710	e7 or 711C	716C
BOSCH	90085, 90088, 90098, 90140, 90150, 90300, 90303, 90305, 91264	Aftermarket base plate required	e7 or 711C	716C
	1600, 1601, 1602, 1603, 1604, 1606, B1350	RA1110 required	e7 or 711C	716C
	North American ROUTERS PRODUCED AFTER mid-2010: 1613EVS, 1613AEVS, 1617, 1617EVS, 1618, 1618EVS, 1619EVS, MR23EVS, MRC23EVS, MRF23EVS, MRP23EVS	RA1100 & RA1126 required Sold only as Set RA1129 (Set includes RA1100 and RA1126)	e7 or 711C	716C
	North American ROUTERS PRODUCED BEFORE mid-2010 and others available worldwide that include the RA1126 adaptor: 1613(EVS)(AEVS), 1614(EVS), 1617EVS, 1618EVS, 1619EVS, B1450, GOF900(CE)(ACE), GOF1200, GOF1250(CE)(LCE), GOF1300(CE)(ACE), GOF1600CE, GOF2000CE, GMF1400, GMF1600CE, POF800ACE, POF1100AE, POF1200AE, POF1400ACE	RA1100 required Sold only as Set RA1129 (Set includes RA1100 and RA1126)	e7 or 711C	716C
1611, 1611EVS, 1615, 1615EVS, B1550, GOF1600, GOF1700ACE	702	e7 or 711C	716C	
CRAFTSMAN (SEARS)	All non-plunge models	Aftermarket base plate required	e7 or 711C	716C
	135275070 Plunge	See Skil 1823 or 1835		
	Other plunge models	702	e7 or 711C	716C
DEWALT	MD11 Plunge & Fixed Base, MD9.5 Fixed Base	Not Required	e7 or 711C	716C
	DW610, DW616, DW618	Not Required	e7 or 711C	716C
	DW613, DW615(UK)	710	e7 or 711C	716C
	DW614, DW615, DW621, DW624, DW625, DW626	N. America Only, Supplied w/router	e7 or 711C	716C
	DW621K, DW622 and DW626 outside N. America	706R	e7 or 711C	716C
	DW625 Type 1,2,3,5 outside N. America	702	e7 or 711C	716C
	DW624 & DW625 Type 4 outside N. America, DW625EK	702R	e7 or 711C	716C
ELU	OF15, OF15E, OF97, OF97E	706R	e7 or 711C	716C
	MOF68, MOF69, MOF96, MOF96E	710	e7 or 711C	716C
	MOF131, MOF177 Type 1,2, & 3	702	e7 or 711C	716C
	MOF177 Type 4, MOF177EK	702R	e7 or 711C	716C
	2720, 2721, 3328	Not Required	e7 or 711C	716C
	3303, 3304	E09600 or 761 270-00	e7 or 711C	716C
	3337, 3338, 3339	702	e7 or 711C	716C
FEIN	RT1800	Supplied w/router	e7 or 711C	716C
FESTOOL	OF1E, OF2E, OF650, OF900E, OF1000, OF1010E	704R	e7 or 711C	716C
	OF2000, OF2000E	705R	e7 or 711C	716C
	OF1400 and OF2200 North America Only	Supplied w/router	e7 or 711C	716C
	OF1400 Outside North America	493566	e7 or 711C	716C
FREUD	OF2200 Outside North America	494627 0-Ring may be required to keep bushing centered	e7 or 711C	716C
HITACHI	FT1700(2), FT2000, FT2200, FT3000	721	e7 or 711C	716C
	TR8, TR12, FM8, M8, M12 Series	325211 OR 703	e7 or 711C	716C
	M12VC, KM12SC, KM12VC	Not Required	e7 or 711C	716C
MAFELL	M12SA2, M12V2	325224	e7 or 711C	716C
	L065E	702 ■	e7 or 711C	716C
	M363, MRP090, RP1800(F), RP1801(F), RP2300(FC), RP2301(FC), 3612C Europe Qk Fit Base	721	e7 or 711C	716C
	3600, 3606, 3608, 3612, 3612B, 3612BR, 3612C N. America, 3620, 3621, RP0900, RP900K	703	e7 or 711C	716C
MAKITA	3601B	321 493-1	e7 or 711C	716C
	RP0910, RP1110C	706R	e7 or 711C	716C
	RF1100, RF1101, RD1100, RD1101, RP1101	Not Required	e7 or 711C	716C
MASTERCRAFT	Please contact Leigh for assistance			
METABO	OF1612, OFE1812 (for all others, please contact Leigh for assistance)	704R	e7 or 711C	716C
MILWAUKEE	5615, 5616, 5619	49-54-1040 (replacement base)	e7 or 711C	716C
	5625	49-54-1026 (replacement base)	e7 or 711C	716C
	5670	Not Required	e7 or 711C	716C
PERLES	OF808 Series, OFE6990	710	e7 or 711C	716C
PORTER-CABLE (ROCKWELL)	Most	Not Required or Supplied w/router	e7 or 711C	716C
	8902	Porter-Cable Sub-Base 42186	e7 or 711C	716C
RIDGID	R2930 (for all others, please contact Leigh for assistance)	704R	e7 or 711C	716C
RYOBI	R30, R50, R150, R151, RE155, R500, R501, R502	703	e7 or 711C	716C
	R600, R601, RE600, RE601	702	e7 or 711C	716C
	R160, R161, R162, R163K, R165, R170, R175, RE175, R180, R180PL, R181, R185, ERT1150	706R	e7 or 711C	716C
SKIL	1823 or 1835	91803	e7 or 711C	716C
	SK1810, 1815, 1820, 1825	RAS140	e7 or 711C	716C
	All others	Aftermarket base plate required	e7 or 711C	716C
TREND	T3, T4, T5, T9, T10, T11 – UniBase required	710	e7 or 711C	716C
TRITON	TRC001	TGA006 or 704R	e7 or 711C	716C
	JOF001, MOF001, TRA001	Accessory Kit (includes adaptor) TGA001 or TGA150	e7 or 711C	716C
WEGOMA	OF850 Series	710	e7 or 711C	716C