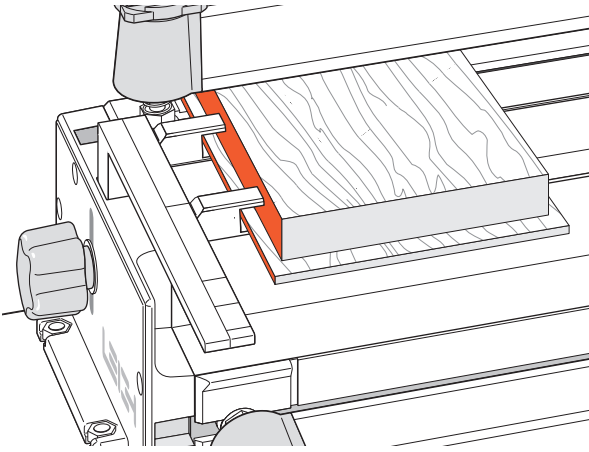


*F2, F1600* **CHAPTER 9**

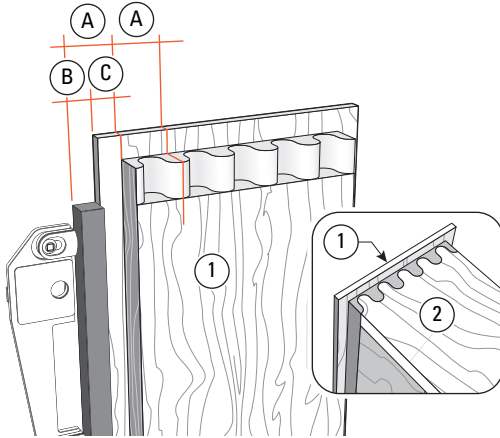
# **Rabbeted Half-Blind Finger Joints**





### 9-1 Rabbeted Round Half-Blind Finger Joints

On the D4R and D1600 jigs, rabbeted square half-blind workpieces do not require blocking if the rabbet is  $\frac{3}{8}$ " or less.



### 9-2

On all other Leigh jigs, rabbeted drawer fronts ① and the mating sides ② have to be blocked away from the side stops. Block drawer sides ② away from the side stops by one complete comb pitch (A). Block the drawer front ① away by (B) which is comb pitch (A) minus rabbet width (C).

### 9-3

The same rule applies to rabbeted square box joints. ■

