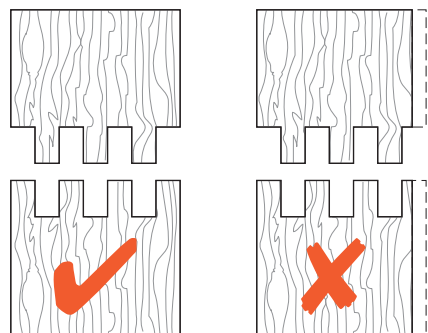


F2, F1600 **CHAPTER 5**

Board Width Selection

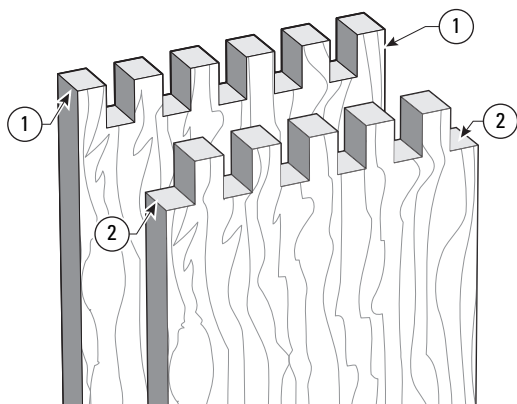




5-1 Board Widths and Joint Symmetry

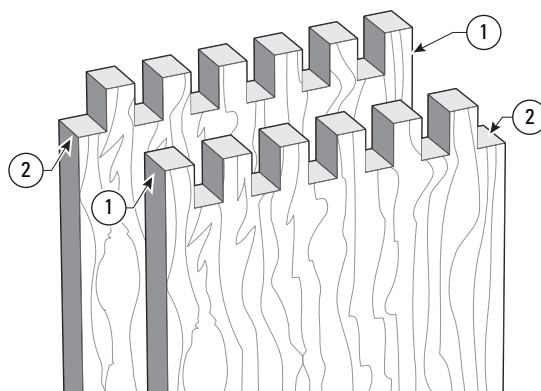
Unlike the infinitely variable Leigh Dovetail Jig, a fixed template cannot accommodate any width of board and still produce a neat and even finish on both side edges of a joint. The boards must be cut to specific widths, depending on the pitch of the comb.

⚠ The comb pitches on the Leigh Finger Joint Templates are all 2 times the cutter diameter plus 0.016" [0,40mm], so you cannot simply use the cutter diameter to calculate board widths; you must use the board width charts on P 32-33.



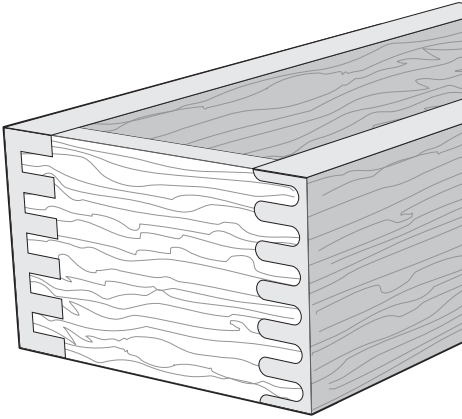
5-2

Symmetrical joints have fingers ① on both side edges of one board and sockets ② on both side edges of the mating board.

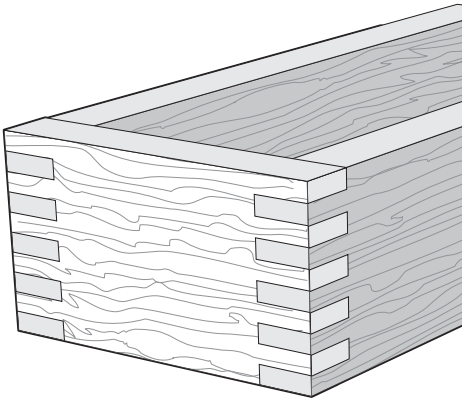


5-3

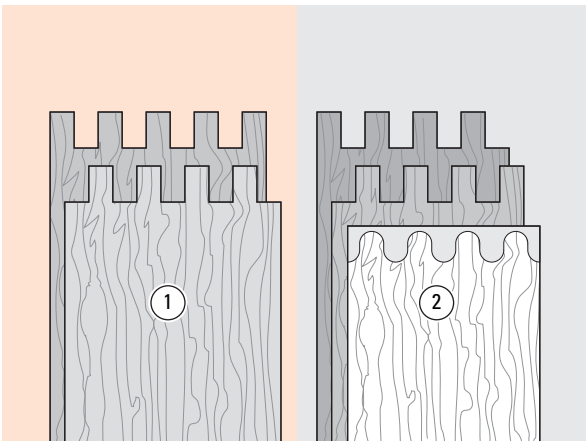
Asymmetrical joints have a finger ① on one side edge and a socket ② on the other side edge of each board.



5-4
Symmetrical joints are essential for half-blind corners (and rounded finger joints on the F2 or F2M).



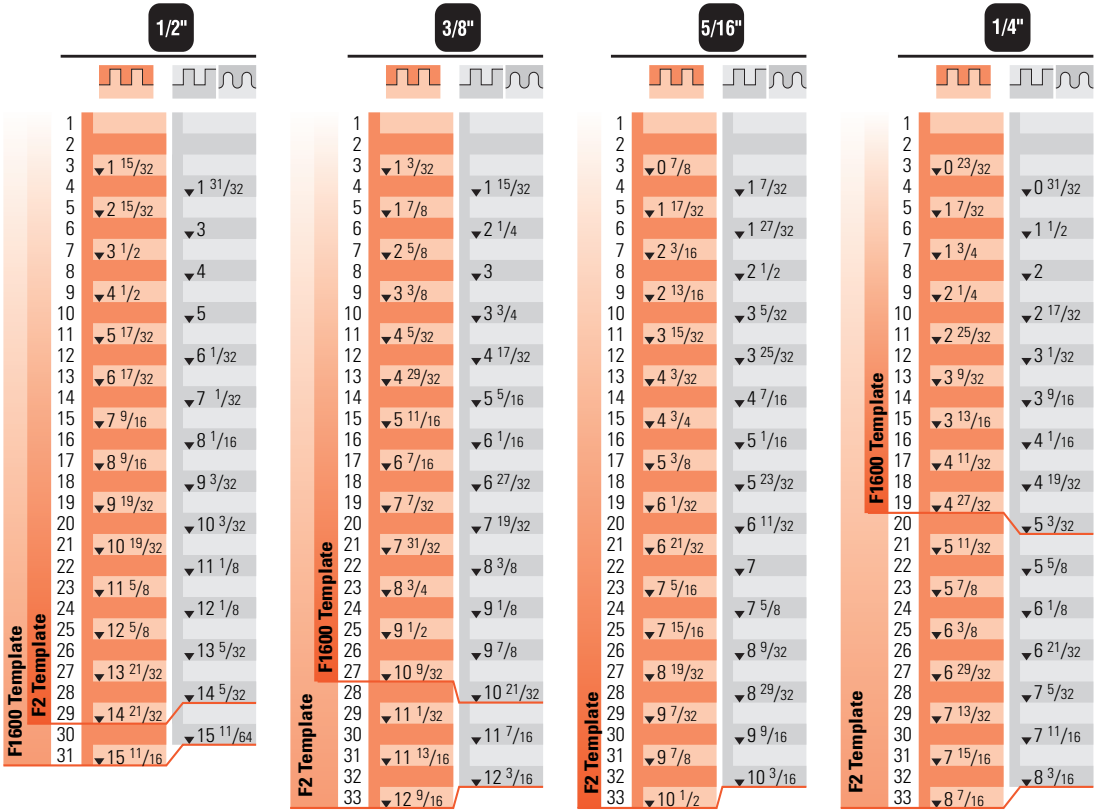
5-5
However, ordinary box joints may be asymmetrical and look okay.



5-6
Note: Because the Leigh VGS allows for fit adjustment on template size, the pitch widths have been made slightly greater than the nominal pitch, i.e. slightly more than two times the cutter diameter. To make symmetrical square joints ①, use the board widths in red. For asymmetrical square joints and symmetrical round joints ②, use the board widths in black. Inch board widths are on page 32. Millimetre board widths are on page 33. ■

BOARD WIDTH CHART (INCHES)

Note: Rounded Joints cannot be made with F1600



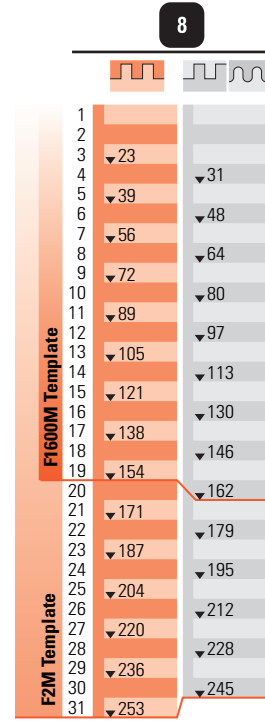
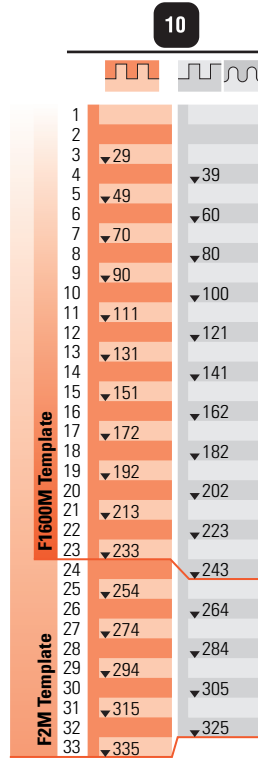
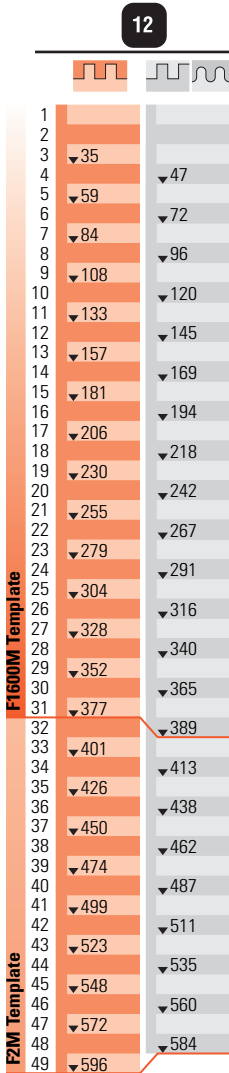
Numbers in white column are number of sockets and pins

Note: Use to the nearest 1/32" for width selection.

To make symmetrical square joints, use the board widths in the red column. For asymmetrical square joints and symmetrical round joints, use the board widths in the grey column.

BOARD WIDTH CHART (MILLIMETRES)

Note: Rounded Joints cannot be made with F1600



Numbers in white column are number of sockets and pins

Note: Use to the nearest millimetre for width selection. To make symmetrical square joints, use the board widths in the red column. For asymmetrical square joints and symmetrical round joints, use the board widths in the grey column.

