

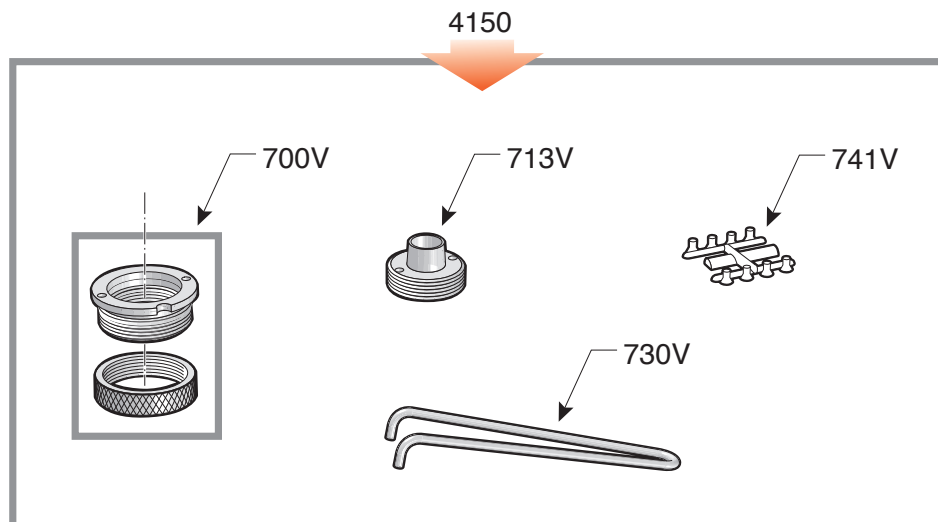
## ISOLOC - Appendix III

# Template Parts List

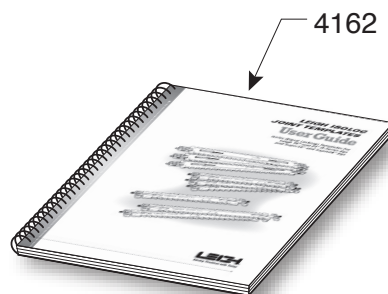
### Parts List for VGS Package supplied with all Isoloc Templates

When ordering parts, please quote the number (A, or B, or C) that matches your template; its serial number, the part numbers required, and part descriptions.

PART NO.		PART DESCRIPTION
4150	1	Isoloc VGS Set - Complete
700V	1	VGS Holder (2 pieces)
713V	1	VGS Bush
730V	1	Pin Wrench for VGS
741V	1	6 Nylon Thread Inserts for VGS (on tree)



PART NO.		PART DESCRIPTION
4162	1	Isoloc User Guide (for all Isoloc models)



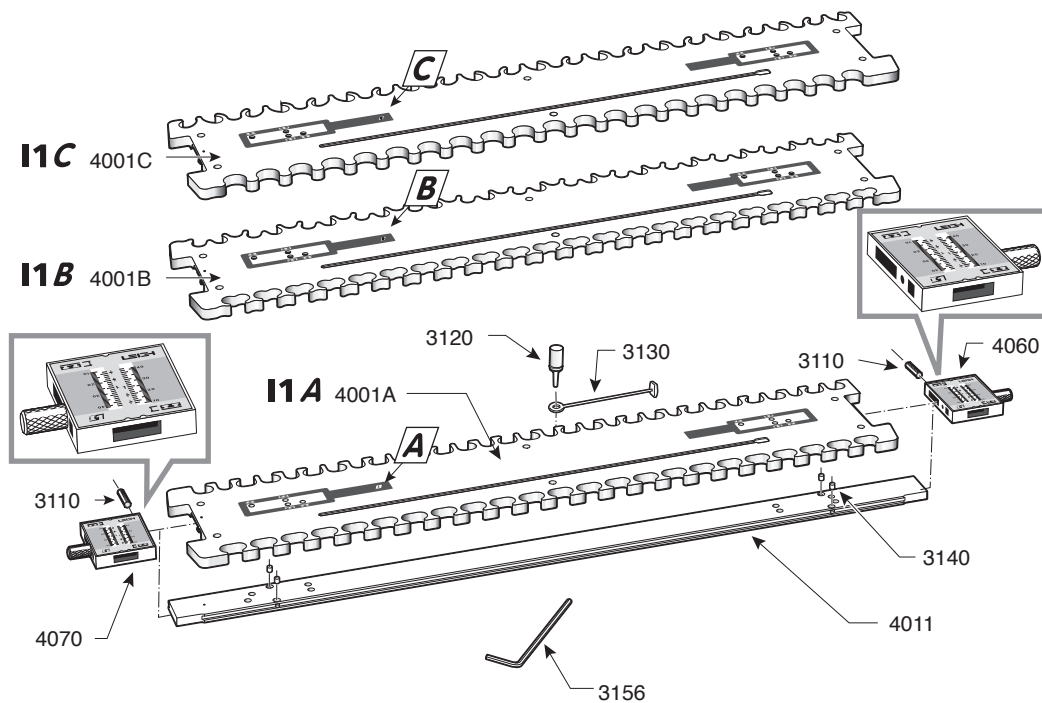
### Parts List for I1 24" Isoloc Templates

When ordering parts, please quote the number (A, B, or C) that matches your template; its serial number, the part numbers required, and part descriptions.

PART NO.	TEMPLATE DESCRIPTION
4001A	Key & Mirror Key Template "A"
4001B	Clover & Bears Ears Template "B"
4001C	Ellipse & Wave Template "C"

### I1 Parts and Sub-Assemblies:

PART NO.	QUANTITY PER TEMPLATE	PART DESCRIPTION
3110	2	Scale Bar Set Screws
3120	1	Template Pin
3130	1	Template Pin Tie
3140	4	Template Bar Glides (installed in Template Bar)
3156	1	Allen Wrench for Scale Set Screws
4011	1	Template Bar (complete with four glides)
4060	1	RH Scale Assembly (RH with 3110 screws away from you)
4070	1	LH Scale Assembly (LH with 3110 screws away from you)



### I1600, I18, I24 Isoloc Templates

When ordering parts, please quote the number and letter (A, B, or C) of your template; its serial number, the part numbers required, and part descriptions.

PART NO.	TEMPLATE DESCRIPTION	PART NO.	TEMPLATE DESCRIPTION
4016A	Key & Mirror Key Template "A"	4018B	Clover & Bears Ears Template "B"
4016B	Clover & Bears Ears Template "B"	4024A	Key & Mirror Key Template "A"
4016C	Ellipse & Wave Template "C"	4024B	Clover & Bears Ears Template "B"

PART NO.	QUANTITY PER TEMPLATE	PART DESCRIPTION
4020	1	16" Template Bar complete with four glides
4030	1	18" Template Bar complete with four glides
4040	1	24" Template Bar complete with four glides
4066	1	RH Scale Assembly
7250	2	Scale Thumb Screws
7255	2	Nylon Washers
4076	1	LH Scale Assembly
3110	2	Scale Bar Set Screws
3120	1	Template Pin
3130	1	Template Pin Tie
3140	4	Template Bar Glides (installed in Template Bar)

