

Guidebush and Cutter Selection

Appendix I M2 User Guide

Joint Technical Specifications, Guidebush and Cutter Selection

	Option 1:	Option 2:
	$\frac{5}{8}$ " [15,9mm] outside dia. Guidebush & $\frac{1}{2}$ " [12,7mm] Spiral Upcut Cutter*	$\frac{7}{16}$ " [11,1mm] outside dia Guidebush & $\frac{5}{16}$ " [7,9mm] Spiral Upcut Cutter
Width of Joint	Up to 24" [610mm]	Up to 24" [610mm]
Tenon Board Thickness	$\frac{1}{2}$ " [13mm] to $1\frac{1}{2}$ " [38mm]	$\frac{5}{16}$ " [8mm] to $\frac{3}{4}$ " [20mm]
Mortise Board Thickness	Up to $1\frac{1}{2}$ " [38mm]	Up to $\frac{3}{4}$ " [20mm]
④ Tenon Height	$\frac{1}{2}$ " [12,7mm] to $1\frac{1}{2}$ " [38mm]	$\frac{5}{16}$ " [7,9mm] to $\frac{3}{4}$ " [20mm]
② Tenon Width	$\frac{5}{8}$ " [15,9mm] to $2\frac{1}{4}$ " [60mm]	$\frac{5}{8}$ " [15,9mm] to $1\frac{1}{2}$ " [40mm]
⑩ "Square" Tenon Height	$\frac{1}{2}$ " [12,7mm] to $1\frac{3}{8}$ " [35mm]	$\frac{5}{16}$ " [7,9mm] to $\frac{3}{4}$ " [20mm]
⑪ Finger Joints	$\frac{5}{8}$ " [15,9mm] width/up, variable	$\frac{5}{8}$ " [15,9mm] width/up, variable
⑨ Closest Tenon Centres	$1\frac{1}{4}$ " [31,75mm]	$1\frac{1}{4}$ " [31,75mm]

Notes

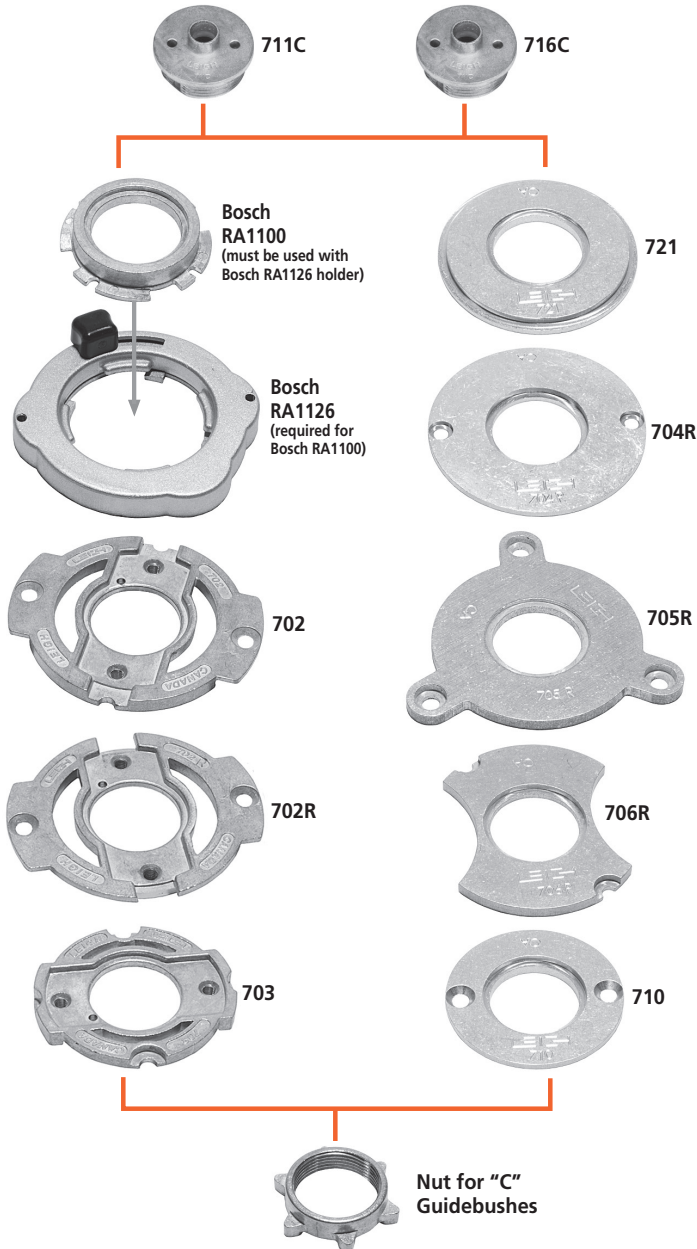
* $\frac{1}{2}$ " [12,7mm] spiral upcut bit HSS, standard equipment.

Guidebushes must have a minimum $\frac{7}{32}$ " [5mm] to maximum $\frac{1}{4}$ " [6,5mm] projection from router base.

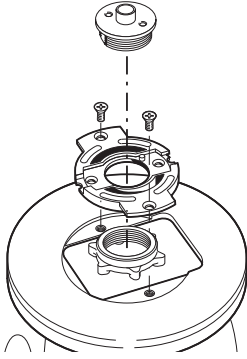
Leigh Template Guidebush and Adaptor System

The correct guidebush is the vital link between the router and your Leigh Jig. It precisely steers the router. Where possible, always use the Leigh system to **ensure correct bush length and precise diameter for accurate results.**

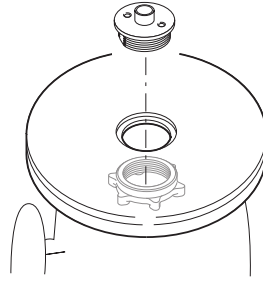
Leigh offers the adaptors shown below to fit guidebushes to over one hundred router models, new and old, including Porter Cable, Black & Decker, and DeWalt. Many other makes like Bosch, Fein, Festool, Milwaukee etc., either offer or come complete with base adaptors. For a complete list of routers and which adaptors fit them, see following pages.



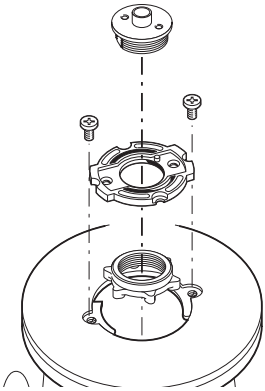
"C" Guidebush Mounting Variations



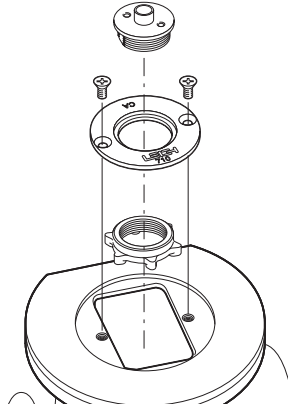
"C" Guidebush with
Adaptors 702 & 702R



"C" Guidebushes fit
many routers directly



"C" Guidebush with
Adaptor 703



"C" Guidebush with
Adaptor 710

Template Guide Bushing and Adaptor Selection

Your router may need an adaptor to mount the guide bushing. Find out with this chart.

See www.leighjigs.com for the latest list of routers.

DIRECTIONS

A. Locate name of router maker in Column 1.

B. Locate router model in Column 2. If your router is not listed visit leighjigs.com for a complete, up-to-date list of routers.

C. Locate adaptor required for your router in Column 3.

- Order Leigh adaptors (part no's in red) in Column 3 from Leigh.
- Order Bosch adaptors RA1100 and RA1126 in Column 3 from Leigh or your Bosch dealer.
- Order all other adaptors in Column 3 from the router manufacturer's dealer.

Note: Adaptor mounting screws are included with router.

■ MAFELL – Rework adaptor slightly.

D. Guide bushings in Columns 4 and 5 fit all adaptors listed and may be ordered if required. Note:

◆ The 7/16" [11,1mm] 711C* guide bushing is supplied with all earlier model Leigh D-series dovetail jigs, but not with the D4R Pro – order if required.

▲ An optional 5/8" [15,9mm] 716C* guide bushing can be used with 1/2" [12,7mm] shank router bits on the D4R Pro, D4R, D4, D3, D1258R and D1258 jigs. Order only if using 1/2" [12,7mm] shanks.

Note:

*The 711C has replaced the 711TP guide bushing. Both are 7/16" OD [11,1mm].

*The 716C has replaced the 716TP guide bushing. Both are 5/8" OD [15,9mm].

1 ROUTER MAKER	2 ROUTER MODEL	3 ROUTER ADAPTOR	4 7/16" OD BUSHING ◆	5 5/8" OD BUSHING ▲	
AEG	OFE 710 in plunge base	Not Required	711C	716C	
	OFSE 2000	703	711C	716C	
	RT1350E	706R	711C	716C	
BLACK & DECKER	All Professional, HD1250, RP400K, 7614	Not Required	711C	716C	
	6200	720673-00	711C	716C	
	SR100, 7AEE, KW780 series, KW800, KW850	710	711C	716C	
BOSCH	1600, 90085, 90088, 90098, 90140, 90150, 90300, 90303, 90305, 91264	Aftermarket base plate required	711C	716C	
	1601, 1602, 1603, 1604, 1606, B1350	RA1110	711C	716C	
	North American ROUTERS PRODUCED AFTER mid-2010: 1613EVS, 1613AEVS, 1617, 1617EVS, 1618, 1618EVS, 1619EVS, MR23EVS, MRC23EVS, MRF23EVS, MRP23EVS	RA1126 quick change adaptor and RA1100 bushing adaptor req'd		711C	716C
	North American ROUTERS PRODUCED BEFORE mid-2010 and others available worldwide that include the RA1126 adaptor: 1613EVS(AEVS), 1614(EVS), 1617EVS, 1618EVS, 1619EVS, B1450, GOF900(CE)(ACE), GOF1200, GOF1250(CE)(LCE), GOF1300(CE)(ACE), GOF1600CE, GOF2000(CE), GMF1400, GMF1600(CE), POF800(ACE), POF1100(ACE), POF1200(ACE), POF1400(ACE)	RA1100		711C	716C
	1611, 1611EVS, 1615, 1615EVS, B1550, GOF1600, GOF1700(ACE)	702		711C	716C
CRAFTSMAN (SEARS)	All non-plunge models	Aftermarket base plate required	711C	716C	
	135275070 Plunge	See Skill 1823 or 1835			
	Other plunge models	702	711C	716C	
DEWALT	MD11 Plunge & Fixed Base, MD9.5 Fixed Base	Not Required	711C	716C	
	DW610, DW616, DW618	Not Required	711C	716C	
	DW613, DW615(UK)	710	711C	716C	
ELU	DW614, DW615, DW621, DW624, DW625, DW626	N. America Only, Supplied w/router	711C	716C	
	DW621K, DW622 and DW626 outside N. America	706R	711C	716C	
	DW625 Type 1,2,3,5 outside N. America	702	711C	716C	
	DW624 & DW625 Type 4 outside N. America, DW625EK	702R	711C	716C	
	OF15, OF15E, OF97, OF97E	706R	711C	716C	
FEIN	MOF68, MOF69, MOF96, MOF96E	710	711C	716C	
	MOF131, MOF177 Type 1,2, & 3	702	711C	716C	
	MOF177 Type 4, MOF177EK	702R	711C	716C	
	2720, 2721, 3328	Not Required	711C	716C	
	3303, 3304	E09600 or 761 270-00	711C	716C	
FESTOOL	3337, 3338, 3339	702	711C	716C	
	RT1800	Supplied w/router	711C	716C	
	OF1E, OF2E, OF650, OF900E, OF1000, OF1010E	704R	711C	716C	
FREUD	OF2000, OF2000E	705R	711C	716C	
	OF1400 and OF2200 North America Only	Supplied w/router	711C	716C	
	OF1400 Outside North America	493566	711C	716C	
	OF2200 Outside North America	494627 O-Ring may be required to keep bushing centered	711C	716C	
HITACHI	FT1700(2), FT2000, FT2200, FT3000	721	711C	716C	
	TR8, TR12, FM8, M8, M12 Series	325211 OR 703	711C	716C	
	M12VC, KM125C, KM12VC	Not Required	711C	716C	
MAFELL	M12SA2, M12V2	325224	711C	716C	
	LO65E	702 ■	711C	716C	
MAKITA	M363, MRP090, RP1800(F), RP1801(F), RP2300(FC), RP2301(FC), 3612C Europe Ok Fit Base	721	711C	716C	
	3600, 3606, 3608, 3612, 3612B, 3612BR, 3612C N. America, 3620, 3621, RP0900, RP900K	703	711C	716C	
	3601B	321 493-1	711C	716C	
	RP0910, RP1110C	706R	711C	716C	
MASTERCRAFT	RF1100, RF1101, RD1100, RD1101, RP1101	Not Required	711C	716C	
	Please contact Leigh for assistance				
METABO	OF1612, OFE1812 (for all others, please contact Leigh for assistance)	704R	711C	716C	
	5615, 5616, 5619	49-54-1040 (replacement base)	711C	716C	
MILWAUKEE	5625	49-54-1026 (replacement base)	711C	716C	
	5670	Not Required	711C	716C	
PEARLES	OF808 Series, OFE6990	710	711C	716C	
PORTER CABLE (ROCKWELL)	All	Not Required or Supplied w/router	711C	716C	
RIDGID	R2930 (for all others, please contact Leigh for assistance)	704R	711C	716C	
RYOBI	R30, R50, R150, R151, RE155, R500, R501, R502	703	711C	716C	
	R600, R601, RE600, RE601	702	711C	716C	
	R160, R161, R162, R163K, R165, R170, R175, RE175, R180, R180PL, R181, R185, ERT1150	706R	711C	716C	
SKIL	1823 or 1835	91803	711C	716C	
	SK1810, 1815, 1820, 1825	RAS140	711C	716C	
	All others	Aftermarket base plate required	711C	716C	
TREND	T3, T4, T5, T9, T10, T11 – UniBase required	710	711C	716C	
TRITON	TRC001	TGA006 or 704R	711C	716C	
	JOF001, MOF001, TRA001	Accessory Kit (includes adaptor) TGA001 or TGA150	711C	716C	
WEGOMA	OF850 Series	710	711C	716C	

