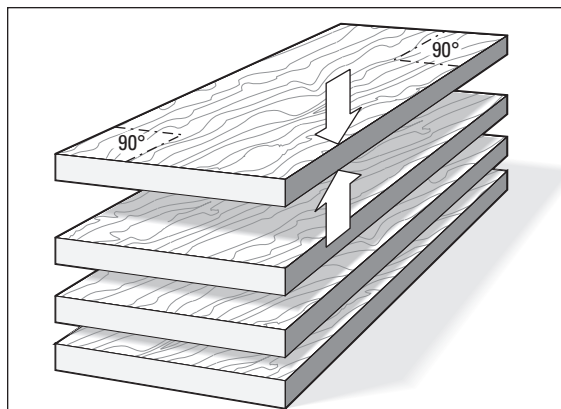
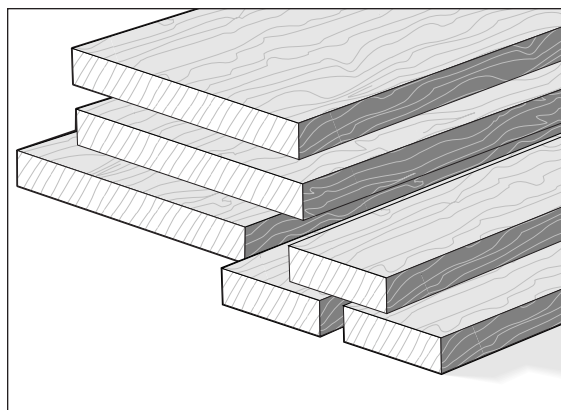


Wood Preparation

**6-1**

Stock for use on the Leigh M2 should generally be prepared straight, flat, of even thickness and equal widths, with square ends and edges. The jig will work with boards of many odd shapes, but make sure the jig can function properly with the required shape of board before you try to use it on a project workpiece.

**6-2**

You will want to test the M2, so prepare some lengths of $\frac{3}{4}$ " x $5\frac{1}{2}$ " [20 x 140mm] boards and some narrow pieces the **exact same thickness**. Cut them to length as you need them for the various jig tests you want to perform. Use them for practice with the jig's various joint modes so you can see how the different modes work. **Remember, though, that boards of different thicknesses can be joined just as easily.**

