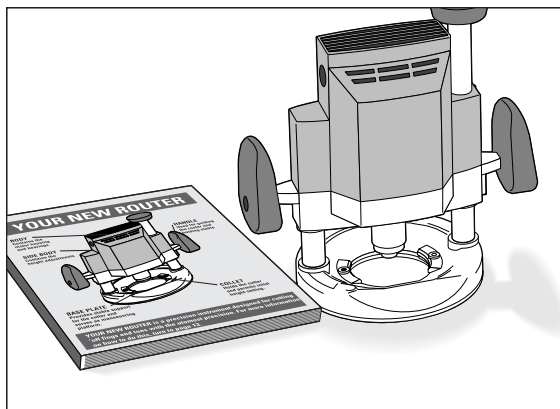


M2 – CHAPTER 2

Using Your Attachment Safely

Chapter Foreword**Safety is not optional.**

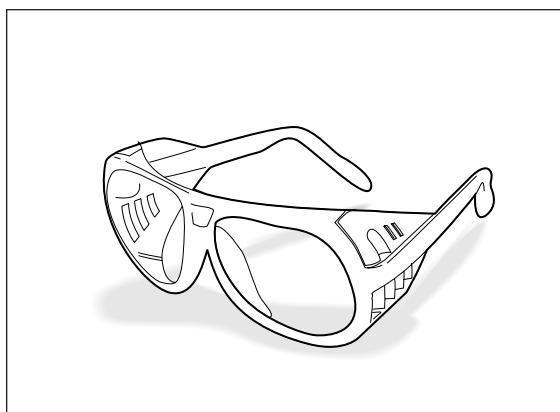
Read and follow the recommendations in this chapter.



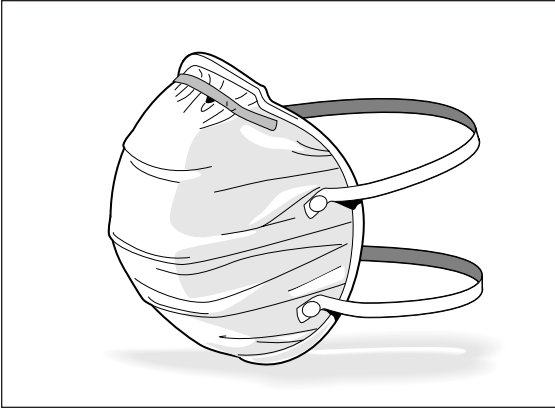
2-1
Read the user guide that came with your router. It is essential to understand the router manufacturer's instructions completely.



2-2
Always wear hearing protection when using a router.



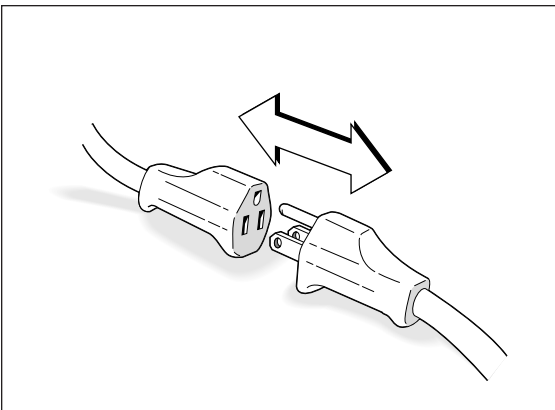
2-3
Always wear approved safety glasses when using a router.

**2-4**

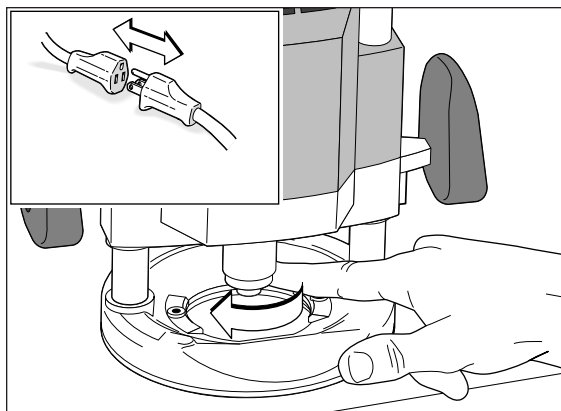
Protect yourself from harmful dust by wearing a face mask.

**2-5** 

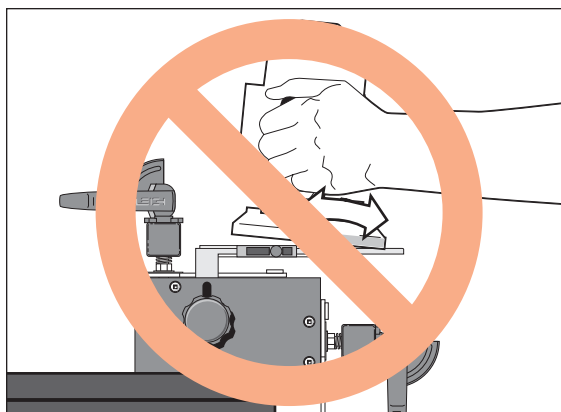
Never drink alcohol or take medications that may cause drowsiness when you will be operating a router.

**2-6**

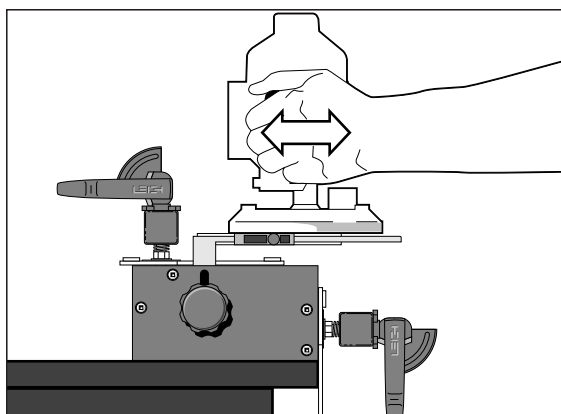
Always disconnect the power source from the router when fitting cutters or guide-bushes, or making adjustments.

**2-7**

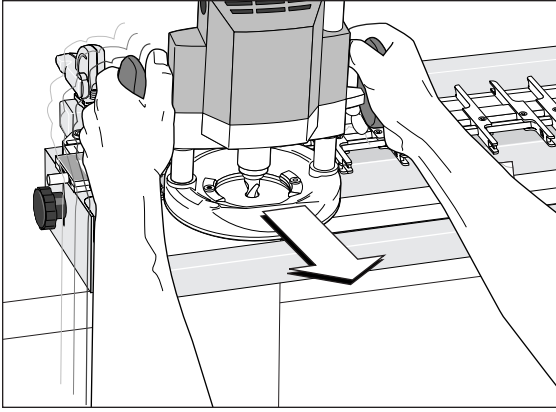
Before connecting the router to the power source, make sure the cutter and collet revolve freely in all the areas you plan to rout, and the cutter does not touch the guidebush or jig.

**2-8** 

Do not tilt the router on the jig.

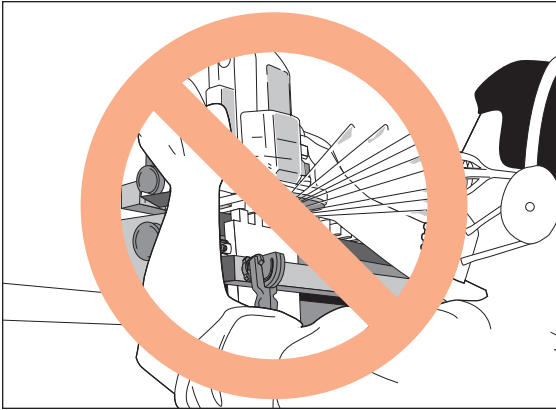
**2-9**

Keep the router flat on the jig assembly.

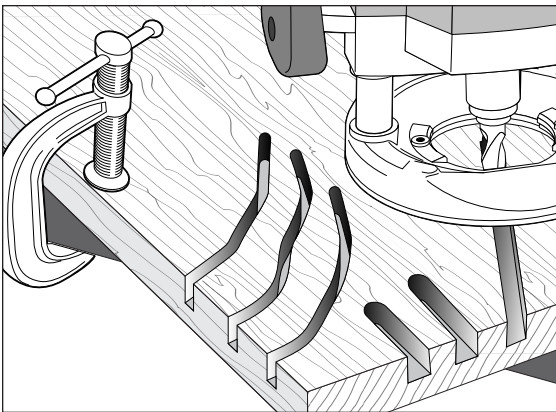
2-10 

If you insist on removing the router from the jig while it is still revolving, always pull it straight off the jig horizontally, and do not raise or lower the router until it is completely clear of the jig.

An obvious exception is while routing mortises, which requires the plunge mechanism to be raised before removing the router.

2-11 

Do not rout at face level.

2-12 

If you have never used your router before, be sure to follow the router manufacturer's instructions for its use. Make plenty of simple open-face practice cuts *without a guidebush* before you try to use the router on the Leigh Jig. You must, of course, always use a guidebush when routing on the Leigh M2.