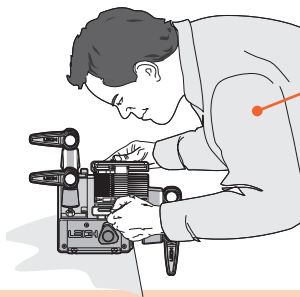


Basic Jig Functions and Scale Modes

Here are the basics for understanding the different Superjig dovetail modes and settings.

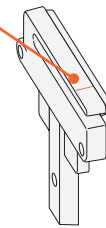
THE FOUR SCALE MODES

The Finger Assembly attaches to the support brackets in four different modes to match the type of joint you are cutting.

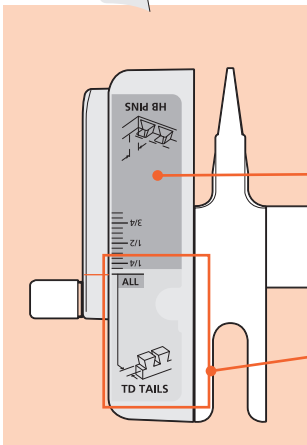


Reading scales from directly above helps sight the lines accurately.

This line is for the finger assembly scales. The line is illustrated in red for clarity in this user guide, but is black on the jig.

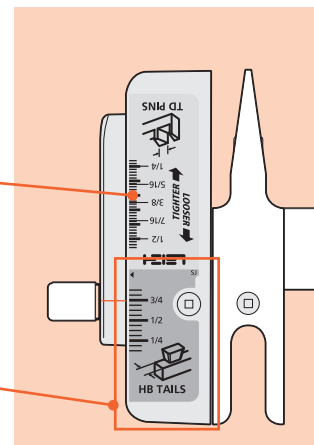


Note: Inch scales are shown here. Millimeter scales have similar layouts.



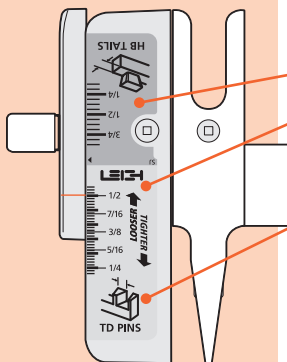
The inactive scale is always on the rear of each scale assembly and is upside-down.

The active scale is always on the front of each scale assembly.



1. TD TAILS

3. HB TAILS



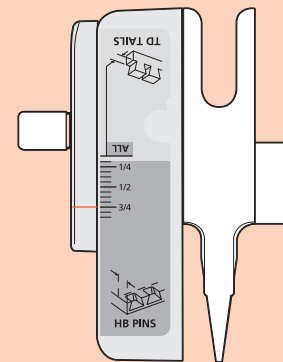
Scales are color coded.

- Green: Half-Blind Dovetails.
- Silver: Through Dovetails.

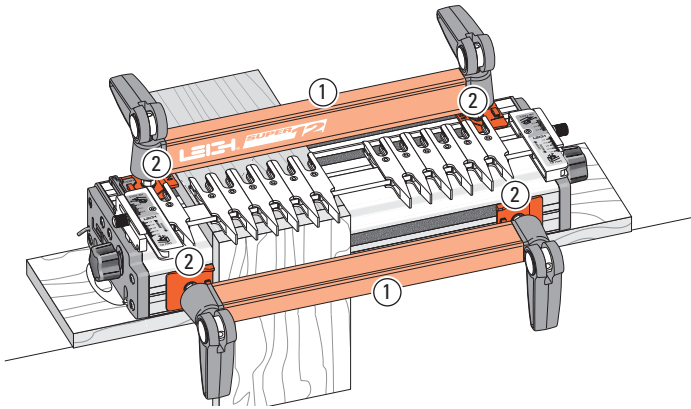
Each scale has its own mode icon (a drawing of the joint part made in that mode).

The specific settings for each scale are fully described in the appropriate chapters.

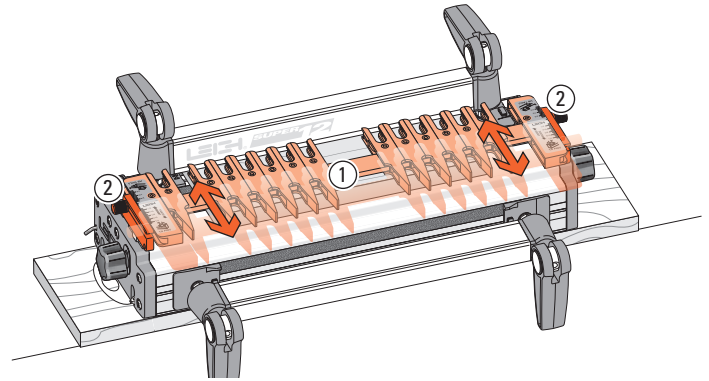
2. TD PINS



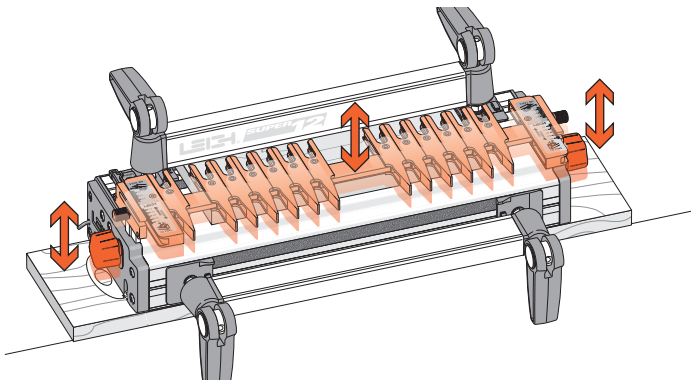
4. HB PINS



4-1 The two clamp bars ① hold workpieces horizontally or vertically. The side stops ② align the boards in the correct position each time.



4-2 The guidefinger assembly slides in the support brackets above the workpiece. The finger assembly is adjusted in or out using calibrated scales on each end to suit different thicknesses of vertical boards.



4-3 The finger assembly is raised or lowered using the support brackets to suit different thicknesses of horizontal boards. ■