

Quick Reference Half-Blind Dovetails



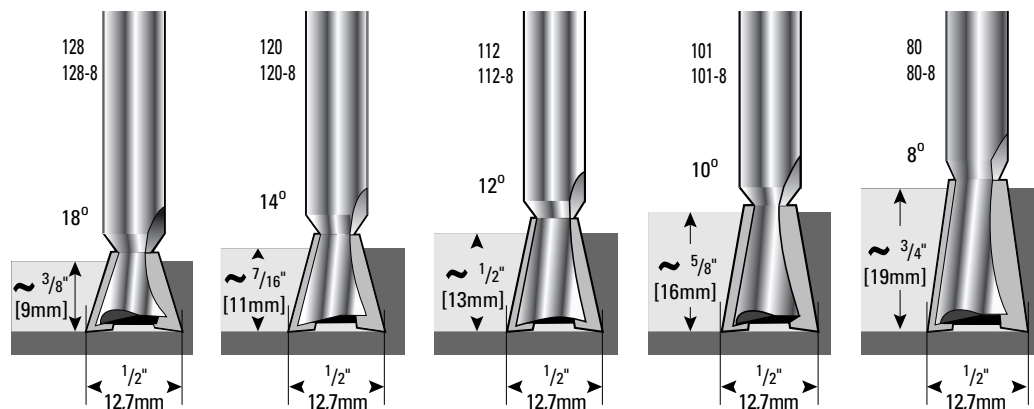
Chapter Foreword

You haven't used the jig for a while and just need reminding of some of the basics. Here they are for Half-Blind Dovetails.

IMPORTANT REMINDER!

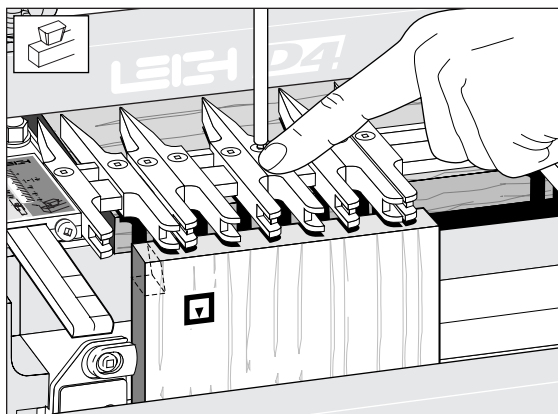
The most misunderstood aspect of routing half-blind dovetails is how the cutter angle affects the Depth of Cut setting. Theoretically, there is only one "perfect" depth of cut for a given cutter that will produce properly mating Pins and Sockets. Therefore, raising or lowering the cutter during test cuts is done only to achieve that one "perfect depth" that is determined by angle of the selected cutter. Any other depth will produce a joint that is too loose or too tight.

Please read this carefully and note the specified Depth of Cut for the different cutter angles shown.




Important! Read This About Depth of Cut.

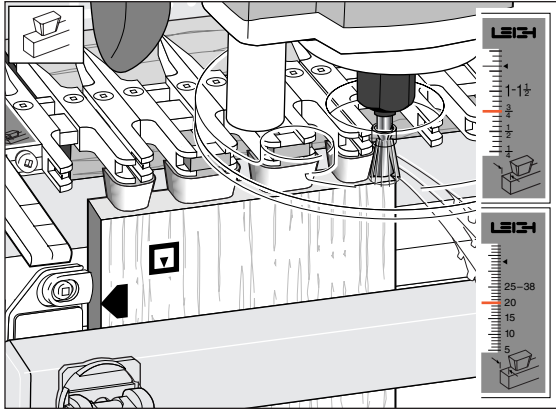
- Depth of cut must be as specified when using any of the four cutters illustrated above.
- Raising the cutter above its specified cutting depth will result in loose joints and may damage the jig, cutter and/or guidebush. A lower setting will result in tighter joints that may not fit together.
- Minor Depth of Cut adjustment will change the tightness of joint fit. See 10-14 to 10-16 to find out why.
- Half-blind PINS and TAILS are routed with the same dovetail cutter and must be at the same Depth of Cut.
- Choose one of the four 1/2" [12,7 mm] diameter dovetail cutters shown above, and check cutter selection on page 160.
- Use only 7/16" [11,1 mm] outside diameter guidebushes.





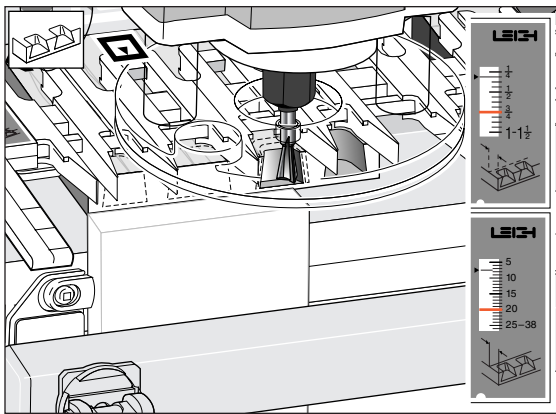
16-1

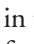

Half-blind dovetails are laid out in the  HB TAILS mode with the finger assembly slightly raised above a tailboard (e.g., drawer side).

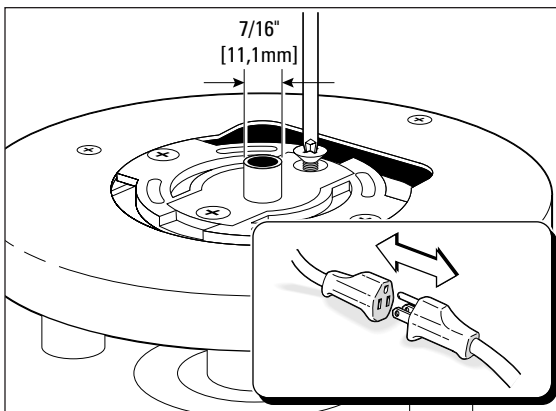
Chapter 16 D4 User Guide

**16-2**

Half-blind (HB) tails: Drawer sides are clamped vertically in the jig. The inside face  of the drawer side goes away from the jig body. The finger assembly is in the  HB TAILS mode, **set to the thickness of the drawer side**. Use bridge pieces where required (see 10-10).

**16-3**

Half-blind (HB) pins: Drawer fronts are cut with the board clamped horizontally in the jig. The inside face  of the drawer front faces away from the jig body. The finger assembly is in the  HB PINS mode, and again **set on the thickness of the drawer side** (but adjusted for a flush fit, see page 87).

**16-4**

On the Leigh jig, all half-blind dovetails are routed using a $\frac{7}{16}$ " [11,1mm] O.D. guidebush.