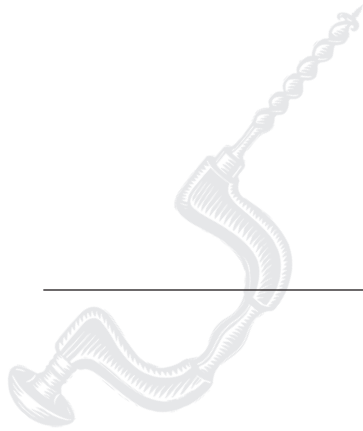
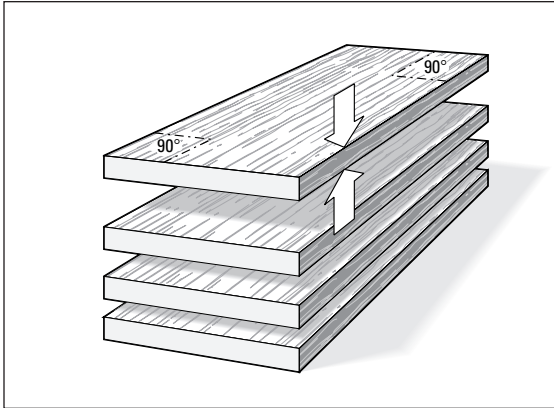
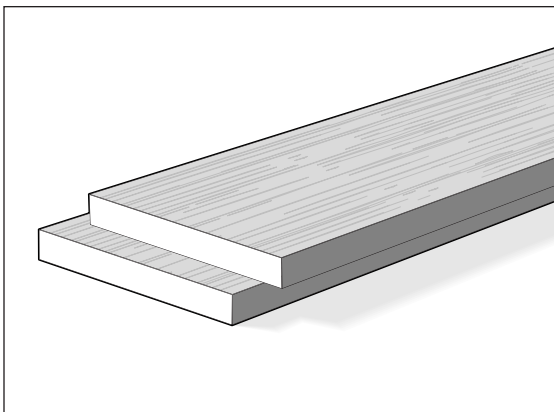


Wood Preparation

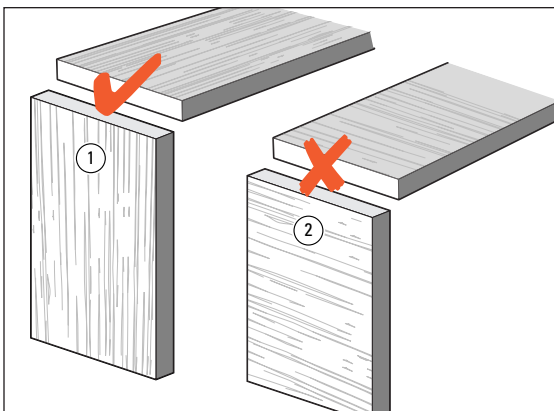



**6-1**

Stock for use on the Leigh jig should generally be prepared straight, flat, of even thickness and equal widths, with square ends and edges. The jig will work with boards of many odd shapes, but make sure the jig can function properly with the required shape of board before you try to use it on a project workpiece. **Note that plywood is generally unsuitable for routing because of tearout problems.**

**6-2**

You will want to test the jig, so prepare some $\frac{3}{4}$ " x $5\frac{1}{2}$ " [20x140mm] boards. Cut them to length as you need them for the jig tests you want to perform. Use them for practice with the jig's various joint modes so you can see how the different modes work. **Remember, though, that boards of unequal thicknesses can be joined just as easily.**

**6-3**

 Dovetail joints are intended for joining end grain to end grain ①. Attempting to cut dovetails in side grain ② does not work because:

- A. The wood will tear out badly when routing.
- B. Even if you could rout them, the pins and tails would easily break off across the short grain.

