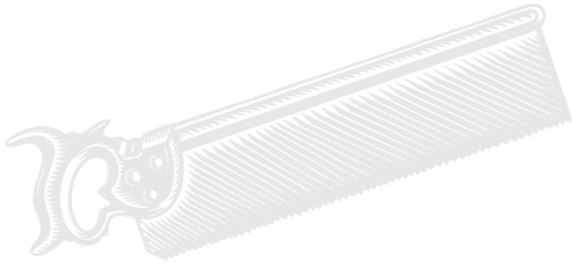
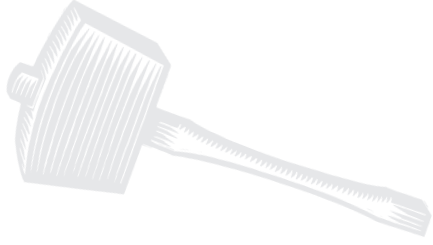


**DA** APPENDIX III

---

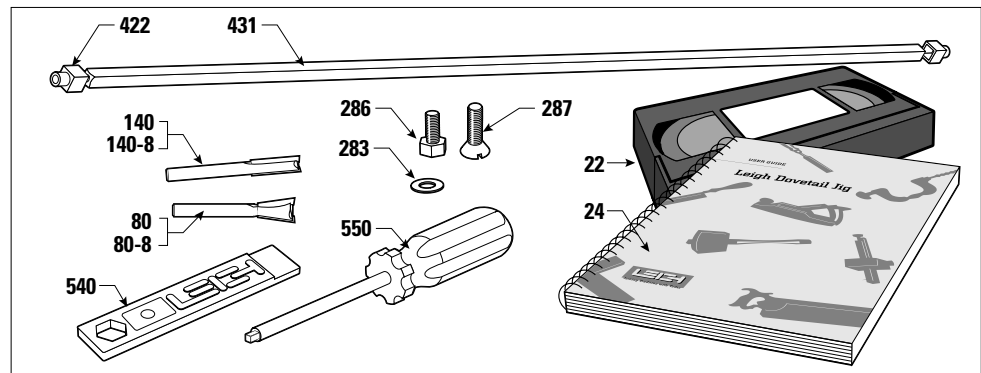
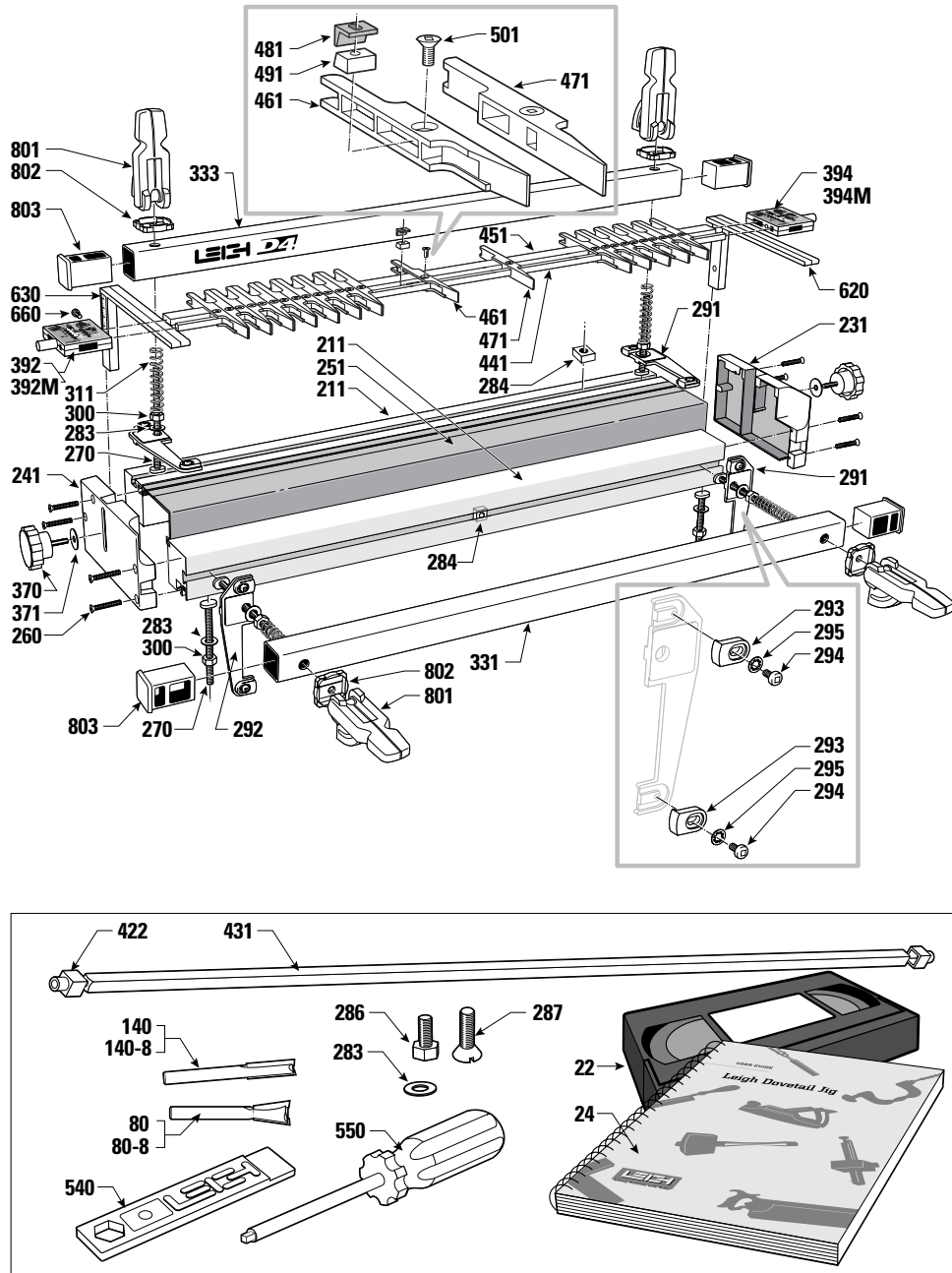
# Jig Parts List



*Appendix III D4 User Guide*

PART NO.	QUANTITY		PART DESCRIPTION
	PER JIG		
22	1		VHS Instructional Video (english - inch only)
24	1	*	User Guide D4 (English–Inch/Metric)
80	1	*	Dovetail Cutter, 1/4" shank
or 80-8	1	*	Dovetail Cutter, 8mm shank
140	1	*	Straight Cutter, 1/4" shank
or 140-8	1	*	Straight Cutter, 8mm shank
211	2		Front Body Extrusion, Rear Body Extrusion
231	1		R.H. End-Housing
241	1		L.H. End-Housing
251	1		Body Cover
260	8		End-Housing Screws
270	6		Clamp Bar T-Bolts, Jig Hold Down T-Bolts
283	7		Flat Washers for Side Stops and Jig Hold Down Bolts
284	2		Angle Side-Stop Square Nuts
286	1		Angle Side-Stop Bolt
287	1		Accessory attachment screw
291	2		R.H. Side Stop complete with Bumpers, Screws and Washers
292	2		L.H. Side Stop complete with Bumpers, Screws and Washers
293	8		Side Stop Bumpers
294	8		Side Stop Bumper Screws
295	8		Side Stop Bumper Lockwashers
300	6		Clamp Bar Bolt Nuts, Hold Down Bolt Nuts
311	4		Clamp Bar Springs
331	1		Front Clamp Bar (complete with End Plugs 803)
333	1		Rear Clamp Bar (complete with End Plugs 803)
370	2		Support Bracket Knobs
371	2		Support Bracket Knob Washers (nylon)
392	1	*	R.H. <b>Inch</b> Scale Assembly, complete (R.H. in H.B. Tail Mode)
or 392M	1	*	R.H. <b>Metric</b> Scale Assembly, complete (R.H. in H.B. Tail Mode)
394	1	*	L.H. <b>Inch</b> Scale Assembly, complete (L.H. in H.B. Tail Mode)
or 394M	1	*	L.H. <b>Metric</b> Scale Assembly, complete (L.H. in H.B. Tail Mode)
422	2	*	Cross Cut Bar Caps
431	1	*	Cross Cut Bar
441	1	*	H.B. Pin Guide Rail
451	1	*	Finger Guide Rail
461	13	*	R.H. Finger complete with Wedge, Nut and Screw
471	13	*	L.H. Finger complete with Wedge, Nut and Screw
481	26	*	Finger Wedges
491	26	*	Finger Nuts
501	26	*	Finger Lock Screws
540	1		Leigh Assembly Wrench/Gauge/Angle Side Stop
550	1		Finger Adjusting Screwdriver
620	1		R.H Support Bracket
630	1		L.H. Support Bracket
660	2	*	Scale Lock Screws
801	4		Cam-Action Speed-Clamps complete with Step Washers 802
802	4		Speed-Clamp Step Washers
803	4		Clamp Bar End Plug

\* Parts marked with an asterisk are also the parts list for Leigh D4A Dovetail Finger Assembly; models D4A, D4A-8, D4A-M and D4A-M/8.



NOTE: When ordering parts, please quote the jig model, serial number, part number, part description and quantity required. Pay particular attention to the scale measurement, inch or metric.

