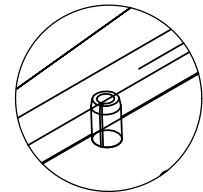
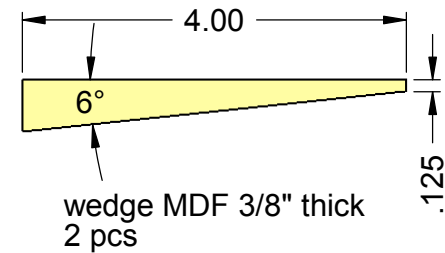
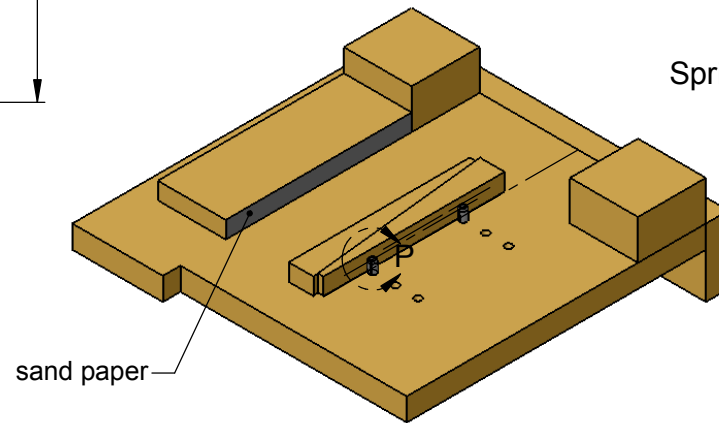


SECTION M-M
SCALE 1 : 2



DETAIL P
Spring Pin 5/32" x .75"L



SPECIFICATIONS:
 MATERIAL: MDF BOARD
 FINISH: none
 COLOUR: NONE
 QUANTITY: 1 PER
 NOTES: ALL DIM'S mm U.N.O.



PROPRIETARY AND CONFIDENTIAL
 THE INFORMATION CONTAINED IN THIS DRAWING IS THE SOLE PROPERTY OF LEIGH INDUSTRIES LTD. ANY REPRODUCTION IN PART OR AS A WHOLE WITHOUT THE WRITTEN PERMISSION OF LEIGH INDUSTRIES LTD IS PROHIBITED.

COMMENTS	NAME	DATE	PROJECT:	
	DRAWN	A ANTONIO	20MY03	Short Drawer jig fixture
	DESIGNED	LEIGH IND.	DESCRIPTION:	
	APPROVED	K GRISLEY	Short Drawer front Half blinds, small boxes, isolocs, rounded box joints	
MATERIAL	PART NO.		SIZE	
FINISH			A	
DO NOT SCALE DRAWING			DWG. NO.	
		SCALE:1:1	WEIGHT:	
			SHEET 1 OF 1	